



Ultrasonic Meter Type FLOW METER , RESIDENTIAL

DN15 - 40

uFlow 230 SERIES



1. Introduction

The **uFlow 230** series ultrasonic flow meter can be used for measuring the flow of water. The measurement principle is static and based on the measurement of transit time with pair of ultrasonic transducer propagating at each other upstream and downstream. All calculation and flow measurement circuits are designed on one circuit board, thus offering exceptional accuracy and reality.

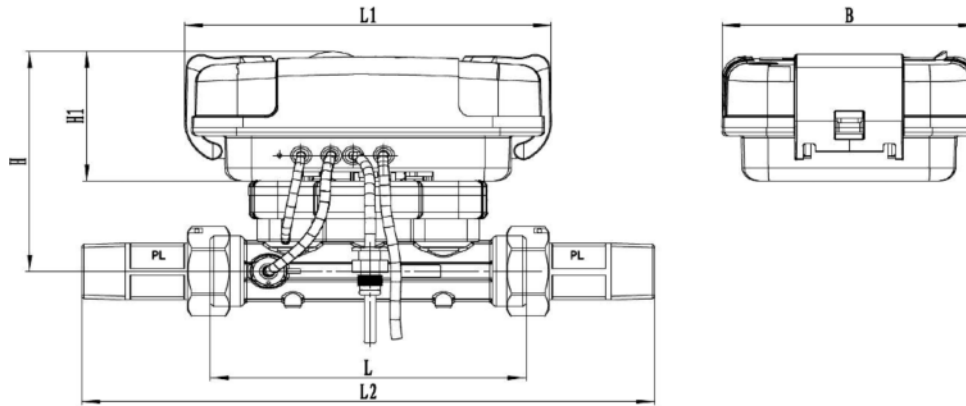
2. Features

- High capacity 3.6 lithium battery inside, above 8 till 10 years shelf life.
- Dynamic range of 250:1, 100:1, 50:1
- Installation of DN15-DN25 does not have to meet straight pipe requirement.
- Can be mounted in flow pipe or return pipe, and can be mounted horizontally or vertically.
- Support optical, RS485 and wired & wireless M-bus interface, convenient for user to manage data in different manners.
- Complies to Modbus RTU and EN13757 communication protocol.
- Certified by CMC and MID.

3. Application

- Green building management
- Flow monitoring
- Irrigation application

4. Dimensions



Nominal Diameter (mm)		15	20	20	15	20	20	20	20	25	25	32	40
Nominal flow rate (m³/h)		0.6	0.6	0.6	1.5	1.5	1.5	2.5	2.5	3.5	6	6	10
Dimension (mm)	Body Length, L	110	130	190	110	130	190	130	190	160	260	180/260	200/300
	Overall Length, L2	200	230	290	200	230	2990	230	290	260	360	280/360	300/400
	Calculator Length, L1	150	150	150	150	150	150	150	150	150	150	150	150
	Height, H	100	103	103	100	103	103	103	103	106	106	109	113
	Calculator Height, H1	60	60	60	60	60	60	60	60	60	60	60	60
	Calculator Breadth, B	105	105	105	105	105	105	105	105	105	105	105	105
Screw thread		G3 / 4B	G1B	G1B	G3 / 4B	G1B	G1B	G1B	G1B	G1 / 4B	G1 1/4B	G1 1/2B	G2B
Screw thread coupling		R1/2	R3/4	R3/4	R1/2	R3/4	R3/4	R3/4	R3/4	R1	R1	R1 1/4	R 1 1/2
Working Pressure		1.6MPa (2.5MPa can be customized upon request)											
Qp:Qi		50:1, 100:1, 250:1											

5. Technical Specification

SPECIFICATIONS - Calculator	
Display	LCD, 8 digits Flow volume, temperature, flow rate
	Flow volume: m ³ (display range: 0~9999999.9),
	Instantaneous flow: m ³ /h, cumulative volume:m ³ , Supply water temperature: °C. Return water temperature: °C, Temperature difference, Total operating time
Approval	MID
Language	English
Ambient Storage Temperature	A Class (5~55) °C or B Class (-25~55)°C optional
Cable length of temperature sensor	1.3 meters
Power supply	3.6V lithium battery
Battery lifetime	≥10 years
Installation	Horizontal or vertical
Communication	Modbus, M-us, optical, pulse
IP rating	IP67
Accuracy	Class 2
Mounting Position	Vertical or horizontal

TECHNICAL PARAMETER	
Flow velocity	0.1 ~ 7m/s
	0.15~12m/s (need to be customized)
Maximum Volume	999999.99

6. Order Information

Model Number , Example and Option						Description
U-230	F-	DN40 -	1	D	C	
Meter Type	F					Flow
Meter Size	DN XX					Please specify size (DN15 - 40)
Output Interface Option			0			M - bus
			1			RS485 / Modbus *
			2			Pulse *
			3			BACnet *
			4			GSM wireless **
			5			RF wireless **
			6			Others please specify
Power Supply				D		24VDC
				A		95 - 265VAC
				1		Battery Supply ***
Connection Type					C	Brass thread with extension fittings
Extra Requirement						(Eg. Cable length, probe type)

* External power required for communication

** Converter would be used to provide required communication

*** For display monitoring

Example:

U-230F - DN40 - 1DC calls for thread type DN40 flow meter; RS485 Modbus interface; 24V DC External Supply; ;

Cable length:

- Flow sensor cable (Default: 0.6 meter)
- Temperature probe cable (Default: 1.3 meter)

Pressure rating:

- 1.6MPa (Default)
- 2.5MPa (Customized)

Temperature probe type:

- PT1000 (Default)
- PT500



Address:
40 E Main Street,
Newark DE, 19711 USA



Phone:
(302) 246 1338
Fax:
(302) 246 1339



Email:
sales@ppkinetics.com