



Ultrasonic Meter Type WATER METER , RESIDENTIAL

uFlow 340 SERIES

DN15 - 40



1. Introduction

The **uFlow 340W series** compact type ultrasonic water is an innovative flow meter with static flow sensor based on the ultrasonic measuring principle. It utilizes ultrasonic measuring methodology and microprocessor technology. All calculation and flow measuring circuits are designed on one single board, thus offering exceptional accuracy and reliability.

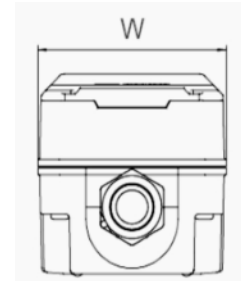
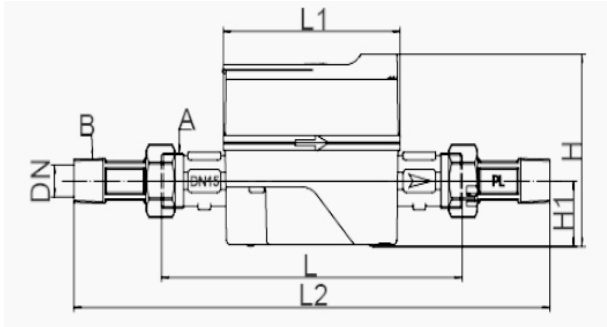
2. Features

- Water temperature detection, low temperature alarm
- Abnormal water usage alarm
- Low starting flow rate, minimum flow rate is 1/3 traditional water meter
- High-precision machining centers, initiating action to prevent the occurrence of product non-conformity, stable and reliable
- Adaptable to inferior water quality, low in maintenance cost
- Ultrasonic signal quality detection
- Low initial flow rate and min. flow velocity measured is 0.002m/s
- No mechanical moving parts, long service life
- Ultra low power consumption, battery life of over 10 years (DN15-40) & 6 years (DN50-600); less than 0.0008W
- Support optical, RS485 and M-BUS (wired & wireless) communication interface;
- Complies to MODBUS RTU and EN13575 communication protocol
- IP68 design

3. Application

- Residential water meter
- Tenant billing

4. Dimensions



Nominal Diameter (mm)		15	20		25		32	40
Dimension (mm)	L	165	190	195	260	225	260	300
	L1	97	97		97		97	97
	L2	255	290	295	360	325	360	400
	H	91	91		91		128	139
	H1	31	28		25		29	36
	W	90	90		90		90	90
Screw thread		G¾ B	G1B		G1 ¼ B		G1 ½ B	G2B
Screw thread coupling		R1/2	R¾		R1		R1 ¼	R 1 ½
Maximum flow rate Q4 (m³/h)		3.13	5		7.875		12.5	20
Nominal flow rate Q3 (m³/h)		2.5	4		6.3		10	16
Transitional flow rate Q2 (m³/h)		0.016	0.026		0.04		0.064	0.102
Minimum flow rate Q1 (m³/h)		0.01	0.016		0.025		0.04	0.064
Starting flow reference (m³/h)		0.002	0.002		0.005		0.007	0.011
Pressure loss		Δp40						
Working Pressure		1.6MPa						
Qp:Qi		250:1 (80:1, 100:1, 160:1, 400:1 can be customized)						

5. Technical Specification

SPECIFICATIONS - Calculator	
Display	LCD, 8 digits Instantaneous flow, Flow volume
Approval	MID
Language	English
Temperature class	T30, T50, T70 optional
Power supply	3.6V lithium battery
Battery lifetime	≥10 years
Environment & mechanical condition	Class C (Class B, Class I optional)
Electromagnetic compatibility	E1 (Class E2 optional)
Ambient storage temperature	-20°C ~ +70°C
Installation	Horizontal or vertical
Communication	Modbus, M-bus, optical, pulse
IP rating	IP65, IP68(upon request)
Accuracy	Class 2

6. Order Information

Model Number, Example and Option								Description	
U-340W	- D -	DN40	- PN16	- 1	- 1	- C	- N		
Transducer Channel	D							Single-channel (DN15-40)	
Meter Size	DNXX							Please specify size (DN15-40)	
Pressure Range			PN16					1.6MPa	
			PN25					2.5MPa	
			S					Special, please clarify	
Output Interface Option				0				M-Bus	
				1				RS485 / Modbus *	
				2				Pulse *	
				3				BACnet *	
				4				GSM wireless **	
				5				RF wireless **	
				6				Others please specify	
Power Supply					D			24VDC	
					A				95-265VAC
					1				Battery Supply ***
Connection Type						C		Brass thread with extension fittings	
Temperature							N	Normal temperature 4-50°C	
							H	High temperature 4-100°C	

* External power required for communication

** Converter would be used to provide required communication

*** For display monitoring

Example:

U-340W-D-DN40-PN16-1-D-C-N calls for thread type DN40 water meter; RS485 Modbus interface; 24V DC external supply; temperature range: 4~50°C

NOTE

Pipe Material:

- DN15-40 Brass, thread;
- DN50-100 Cast Iron, Flanges;
- DN125-600 Carbon Steel and Flange type



Address:
40 E Main Street,
Newark DE, 19711 USA



Phone:
(302) 246 1338
Fax:
(302) 246 1339



Email:
sales@ppkinetics.com