



Ultrasonic Meter Type WATER METER , DISTRICT

uFlow 340 SERIES

DN50 - 600



1. Introduction

The **uFlow 340W series** compact type ultrasonic water is an innovative flow meter with static flow sensor based on the ultrasonic measuring principle. It utilizes ultrasonic measuring methodology and microprocessor technology. All calculation and flow measuring circuits are designed on one single board, thus offering exceptional accuracy and reliability.

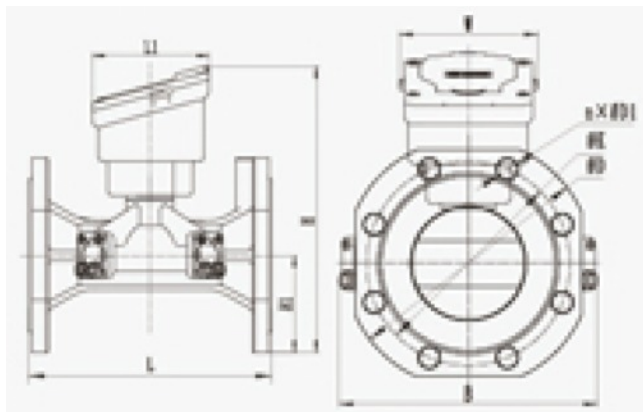
2. Features

- Water temperature detection, low temperature alarm
- Abnormal water usage alarm
- Low starting flow rate, minimum flow rate is 1/3 traditional water meter
- High-precision machining centers, initiating action to prevent the occurrence of product non-conformity, stable and reliable
- Adaptable to inferior water quality, low in maintenance cost
- Ultrasonic signal quality detection
- Low initial flow rate and min. flow velocity measured is 0.002m/s
- No mechanical moving parts, long service life
- Ultra low power consumption, battery life of over 10 years (DN15-40) & 6 years (DN50-600); less than 0.0008W
- Support optical, RS485 and M-BUS (wired & wireless) communication interface;
- Complies to MODBUS RTU and EN13575 communication protocol
- IP68 design

3. Application

- Residential water meter
- Tenant billing

4. Dimensions



Nominal Diameter (mm)	50	65	80	100	125	150	200	250	300	350	400	500	600	
Dimension (mm)	L	200	200	225	250	250	300	350	450	500	500	600	600	800
	L1	120	120	120	120	120	120	120	120	120	120	120	120	120
	H	245	250	275	290	380	400	470	530	580	640	695	815	925
	H1	65	70	90	100	125	130	170	203	230	260	290	358	420
	W	123	123	123	123	123	123	123	123	123	123	123	123	123
	B	172	190	205	230	250	285	340	405	460	520	580	715	840
	D	165	185	200	220	250	285	340	405	460	520	580	715	840
	nxΦD1	4 x Φ18		8 x Φ18			8 x Φ22	12 x Φ22	12 x Φ22		16 x Φ26	16 x Φ30	20 x Φ33	20 x Φ36
Maximum flow rate Q4 (m ³ /h)	31.25	50	78.75	125	200	312.5	500	787.5	1250	1250	2000	3125	5000	
Nominal flow rate Q3 (m ³ /h)	25	40	63	100	160	250	400	630	1000	1000	1600	2500	4000	
Transitional flow rate Q2 (m ³ /h)	0.1	0.16	0.252	0.4	0.64	1	1.6	2.52	4	4	6.4	10	16	
Minimum flow rate Q1 (m ³ /h)	0.063	0.1	0.158	0.25	0.4	0.625	1	1.575	2.5	2.5	4	6.25	10	
Starting flow reference (m ³ /h)	0.01	0.02	0.03	0.05	0.08	0.1	0.2	0	0.4	0.6	0.75	1.2	1.8	
Pressure loss	Δp25										Δp10			
Working Pressure	1.6MPa						1.0MPa							
Qp:Qi	400:1 (100:1, 160:1, 250:1, 500:1, 800:1 can be customized)													

5. Technical Specification

SPECIFICATIONS - Calculator	
Display	LCD, 8 digits Instantaneous flow, Flow volume
Approval	MID
Language	English
Temperature class	T30, T50, T70 optional
Power supply	3.6V lithium battery
Battery lifetime	≥10 years
Environment & mechanical condition	Class C (Class B, Class I optional)
Electromagnetic compatibility	E1 (Class E2 optional)
Ambient storage temperature	-20°C ~ +70°C
Installation	Horizontal or vertical
Communication	Modbus, M-bus, optical, pulse
IP rating	IP65, IP68(upon request)
Accuracy	Class 2

6. Order Information

Model Number, Example and Option								Description		
U-340W	- D -	DN50	- 16	- 1	- 1	- D	- N			
Transducer Channel	D							Single-channel (DN15-300)		
	M							Multi-channel (DN50-600)		
Meter Size		DNXX						Please specify size (DN15-600)		
Pressure Range			16					1.6MPa		
			25					2.5MPa		
			S					Special, please clarify		
Output Interface Option				0				M-Bus		
				1				RS485 / Modbus *		
				2				Pulse *		
				3				BACnet *		
				4				GSM wireless **		
				5				RF wireless **		
				6				Others please specify		
Power Supply					D			24VDC		
					A				95-265VAC	
					1				Battery Supply ***	
Connection Type						D		DIN (EN13757)		
						A				ANSI
						S				Special
Temperature							N	Normal temperature 4-50°C		
							H	High temperature 4-100°C		

- * External power required for communication
- ** Converter would be used to provide required communication
- *** For display monitoring

Example:

U-340W-D-DN50-16-1-D-D-N calls for thread type DN50 water meter; RS485 Modbus interface; 24VDC supply; DIN standard; temperature range: 4~50°C

NOTE

Pipe Material:

- DN15-40 Copper, thread;
- DN50-100 Cast Iron, Flanges;
- DN125-600 Carbon Steel and Flange type



Address:
40 E Main Street,
Newark DE, 19711 USA



Phone:
(302) 246 1338
Fax:
(302) 246 1339



Email:
sales@ppkinetics.com